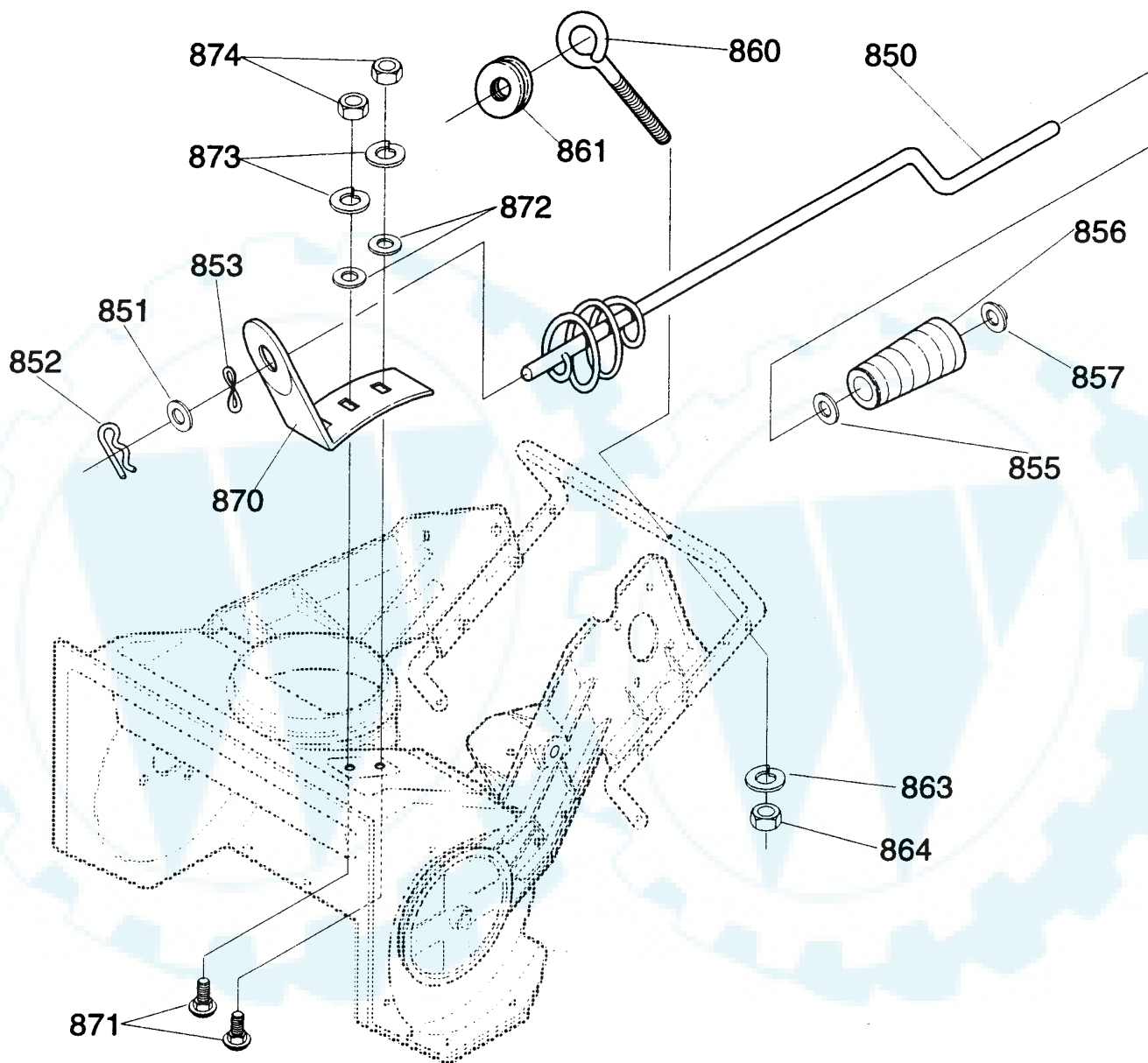


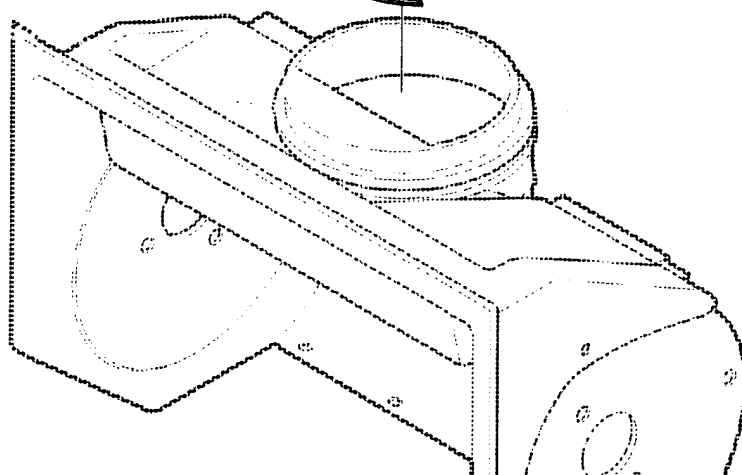
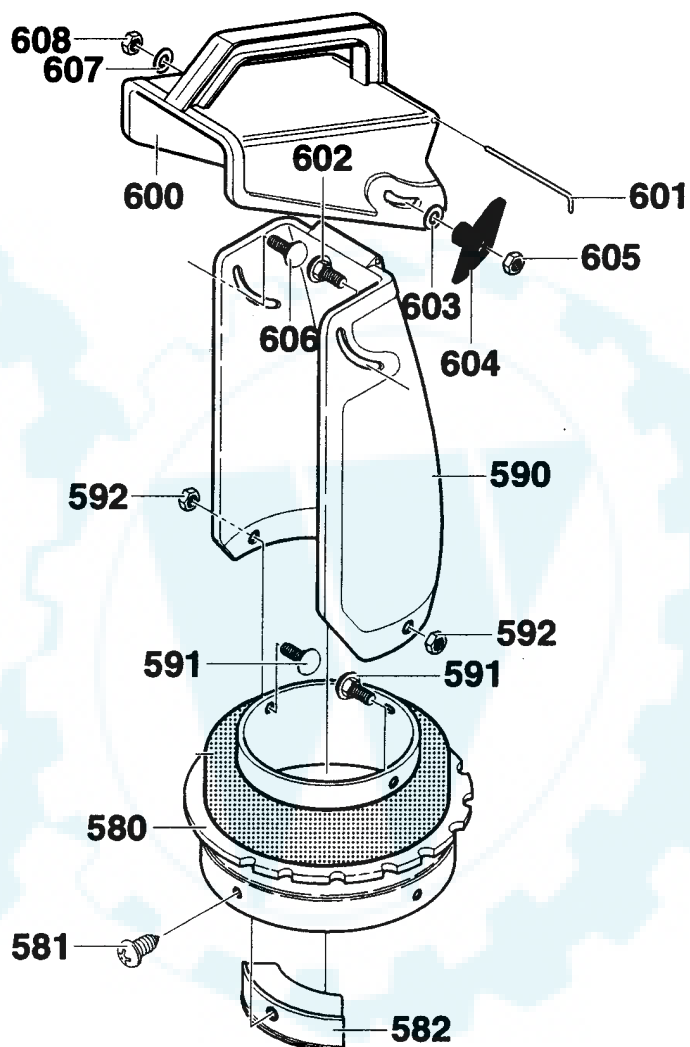
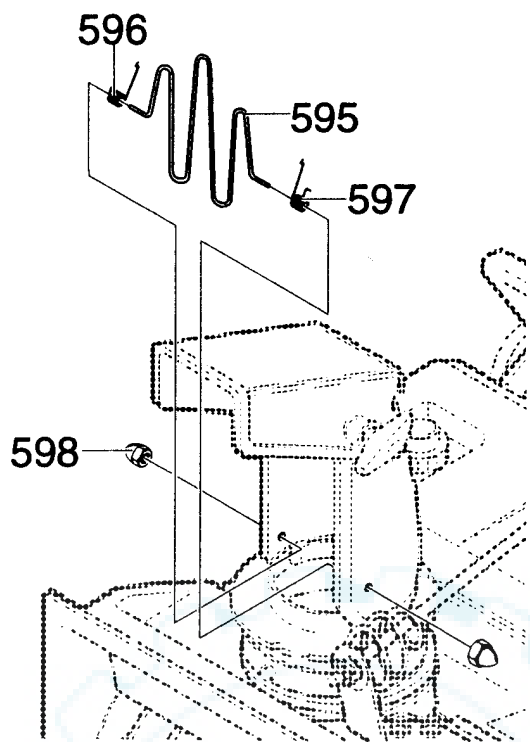


| Ausgabe Issue | | Bild Nr Picture No | | SNOW STAR EINSTELLKURBEL | SNOW STAR CHUTE ROD | Seite Page | | |
|------------------|-----------------|-----------------------|--|-----------------------------|------------------------|----------------------------|-------------|--------------------|
| Pos. Fig. | Anzahl/Quantity | | | Artikel Nr. Part No | Bezeichnung | Description | Satz Kit | Anmerkung Notes |
| | 2820 | | | | | | | |
| 850 | 1 | | | 1133-0989-01 | Regulierkurbel | Upper chute rod | | |
| 851 | 1 | | | 9699-0035-02 | Scheibe | Flat washer | | |
| 852 | 1 | | | 9599-0054-02 | Splint | Cotter pin | | |
| 853 | 1 | | | 1133-0973-01 | Federscheibe | Curved spring washer | | |
| 855 | 1 | | | 9699-0035-02 | Scheibe | Flat washer | | |
| 856 | 1 | | | 1133-0959-01 | Griff | Knob | | |
| 857 | 1 | | | 1812-0396-01 | Einrasten | Retainer | | |
| 860 | 1 | | | 1812-1553-01 | Augbolzen | Eye bolt | | |
| 861 | 1 | | | 1812-0203-01 | Buchse | Grommet | | |
| 863 | 1 | | | 9683-0035-02 | Scheibe | Lock washer | | |
| 864 | 1 | | | 9743-3721-32 | Mutter | Nut | | |
| 870 | 1 | | | 1812-1493-01 | Halterung | Chute rotation brkt. | | |
| 871 | 2 | | | 9899-3622-16 | Schraube | Screw | | |
| 872 | 2 | | | 9699-0029-02 | Scheibe | Flat washer | | |
| X 873 | 2 | | | 1812-1669-01 | Scheibe | Washer | | |
| 874 | 2 | | | 9795-3631-02 | Mutter | Nut | | |



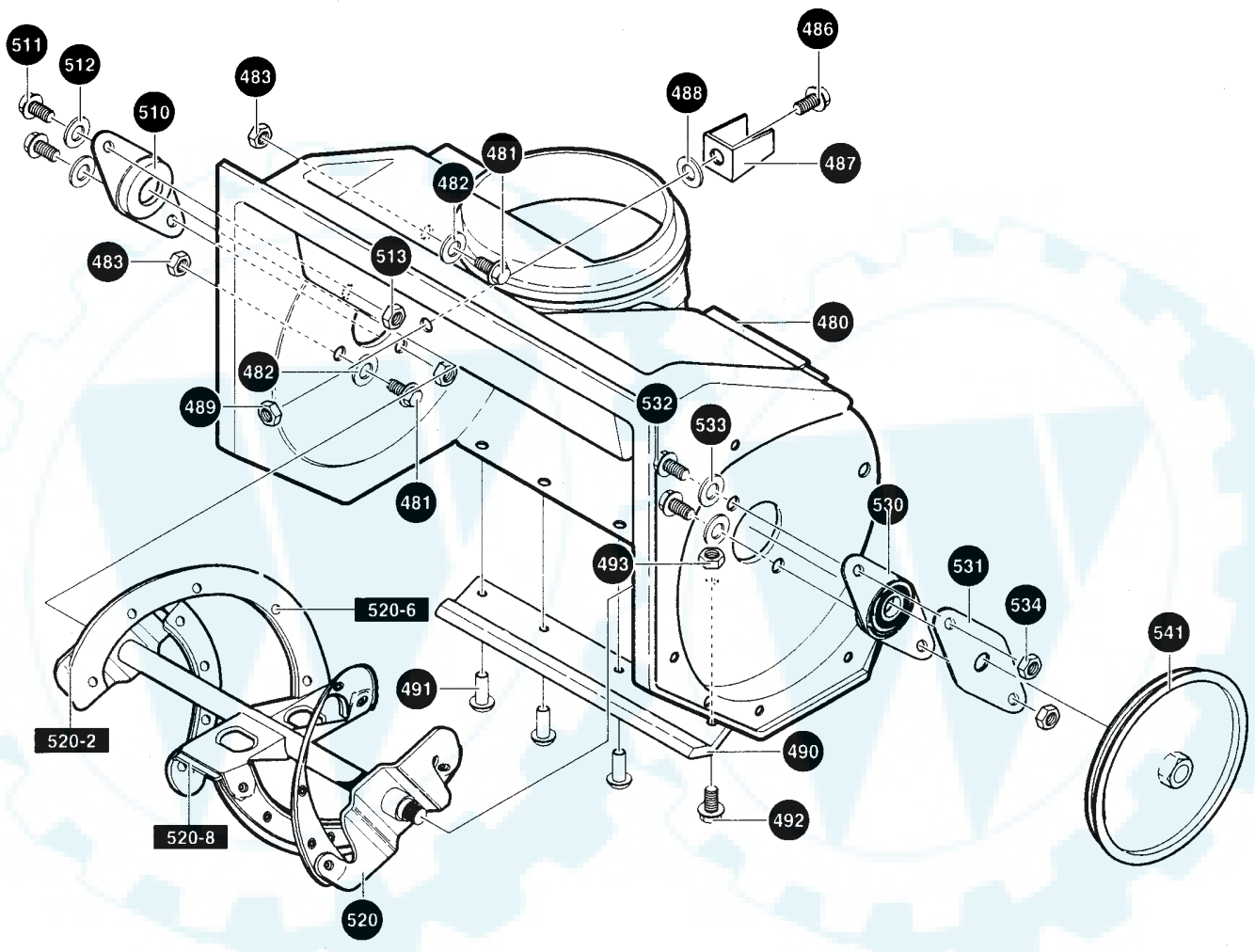


| Ausgabe Issue | | Bild Nr Picture No | | SNOW STAR AUSWURF AUSWURFSCHUTZ | | SNOW STAR DISCHARGE CHUTE CHUTE GUARD | | Seite Page | |
|------------------|-----------------|-----------------------|--|---------------------------------------|------------------------|---|----------------------------|---------------|--------------------|
| 2002- 2 | | 949 | | | | | | 66 | |
| Pos. Fig. | Anzahl/Quantity | | | | Artikel Nr. Part No | Bezeichnung | Description | Satz Kit | Anmerkung Notes |
| | 2820 | | | | | | | | |
| 580 | 1 | | | | 1133-0987-01 | Auswurfring..... | Chute ring | | |
| 581 | 4 | | | | 1133-1014-01 | Schraube | Screw | | |
| 582 | 4 | | | | 1133-1018-01 | Auswurfschiene..... | Chute guide..... | | |
| 590 | 1 | | | | 1133-1004-01 | Auswurfrohr | Lower chute | | |
| 591 | 2 | | | | 9899-3516-16 | Schraube | Screw | | |
| 592 | 2 | | | | 9727-3541-22 | Mutter | Nut | | |
| 595 | 1 | | | | 1133-0970-01 | Auswurfschutz..... | Wire chute guide | | |
| 596 | 1 | | | | 1133-0944-01 | Feder | Torsion chute spring | | |
| 597 | 1 | | | | 1133-0945-01 | Feder | Torsion chute spring | | |
| 598 | 2 | | | | 1133-0937-01 | Schließmutter | Acorn nut | | |
| 600 | 1 | | | | 1133-0967-01 | Auswurfschirm | Upper chute | | |
| 601 | 1 | | | | 1133-0969-01 | Achse..... | Hinge wire..... | | |
| 602 | 1 | | | | 9899-3632-12 | Schraube | Screw | | |
| 603 | 1 | | | | 9699-0029-02 | Scheibe | Flat washer..... | | |
| 604 | 1 | | | | 1133-0932-01 | Schließrad | T- knob..... | | |
| 605 | 1 | | | | 9795-3631-02 | Mutter | Nut | | |
| 606 | 1 | | | | 1133-1023-01 | Schraube | Screw | | |
| 607 | 1 | | | | 9699-0029-02 | Scheibe | Flat washer..... | | |
| 608 | 1 | | | | 1812-0811-01 | Gegenmutter..... | Locking nut..... | | |



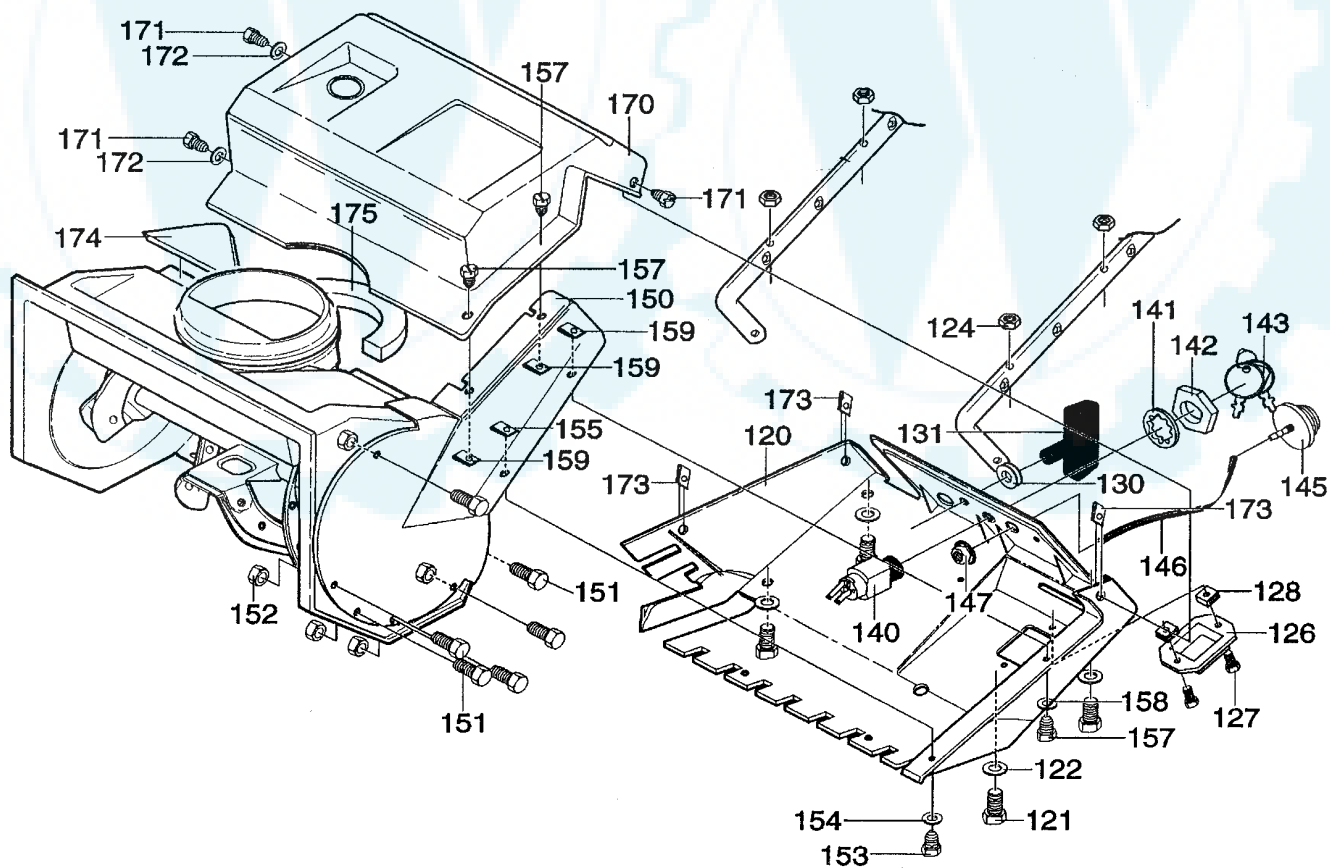
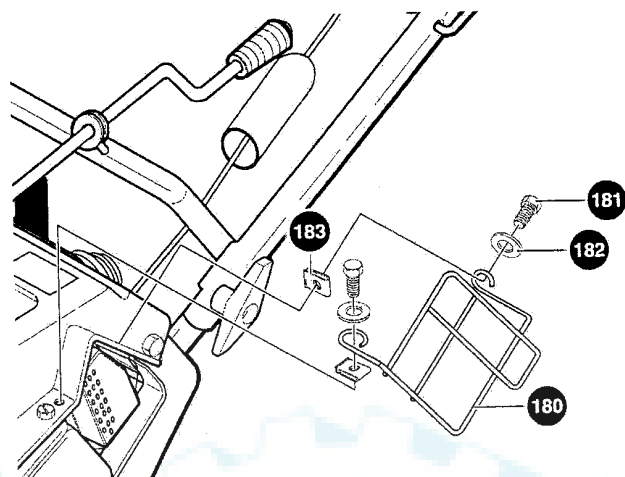


| Ausgabe Issue | | Bild Nr Picture No | | SNOW STAR SCHNEESCHRAUBE | SNOW STAR AUGER | Seite Page | | |
|------------------|-----------------|-----------------------|--|-----------------------------|-----------------------------|-----------------------|-------------|--------------------|
| 2002- 2 | | 866B | | | | 64 | | |
| Pos. Fig. | Anzahl/Quantity | | | Artikel Nr. Part No | Bezeichnung | Description | Satz Kit | Anmerkung Notes |
| | 2820 | | | | | | | |
| 480 | 1 | | | 1133-0994-01 | Gehäuse- Schneeschraub | Auger housing..... | | |
| 481 | 4 | | | 9988-3519-16 | Schraube | Screw | | |
| 482 | 4 | | | 9699-0028-02 | Scheibe..... | Flat washer..... | | |
| 483 | 4 | | | 1812-0812-01 | Gegenmutter..... | Locking nut..... | | |
| 486 | 1 | | | 9988-3516-16 | Schraube | Screw | | |
| 487 | 1 | | | 1133-0993-01 | Haltebügel | Stop bracket..... | | |
| 488 | 1 | | | 1812-1556-01 | Scheibe..... | Washer..... | | |
| 489 | 1 | | | 1812-0812-01 | Gegenmutter..... | Locking nut..... | | |
| 490 | 1 | | | 1133-0999-01 | Abstreifer | Scraper blade..... | | |
| 491 | 3 | | | 1133-1022-01 | Niet | Rivet..... | | |
| 492 | 1 | | | 9988-3519-16 | Schraube | Screw | | |
| 493 | 1 | | | 9727-3541-22 | Mutter | Nut | | |
| 510 | 1 | | | 1133-1019-01 | Flanschlager | Flange bearing..... | | |
| 511 | 2 | | | 9988-3525-16 | Schraube | Screw | | |
| 512 | 2 | | | 9699-0028-02 | Scheibe..... | Flat washer..... | | |
| 513 | 2 | | | 9727-3541-22 | Mutter | Nut | | |
| 520 | 1 | | | 1133-0966-01 | Schneeschraube | Auger assy | | |
| 520A | 4 | | | 1133-0964-01 | Schere- Schneeschraube | Auger blade..... | | Pos 520-2 |
| 520B | 20 | | | 1133-0940-01 | Niet | Rivet..... | | Pos 520-6 |
| 520C | 2 | | | 1133-0960-01 | Schere- mitten | Centre blade..... | | Pos 520-8 |
| 530 | 1 | | | 1133-0947-01 | Lager m.Halter | Bearing & plate | | |
| 531 | 1 | | | 1133-1000-01 | Lagerhalter | Retainer plate..... | | |
| 532 | 2 | | | 9988-3516-16 | Schraube | Screw | | |
| 533 | 2 | | | 9699-0028-02 | Scheibe..... | Flat washer..... | | |
| 534 | 2 | | | 1812-0812-01 | Gegenmutter..... | Locking nut..... | | |
| 541 | 1 | | | 1812-1400-01 | Riemenscheibe | Pulley | | |



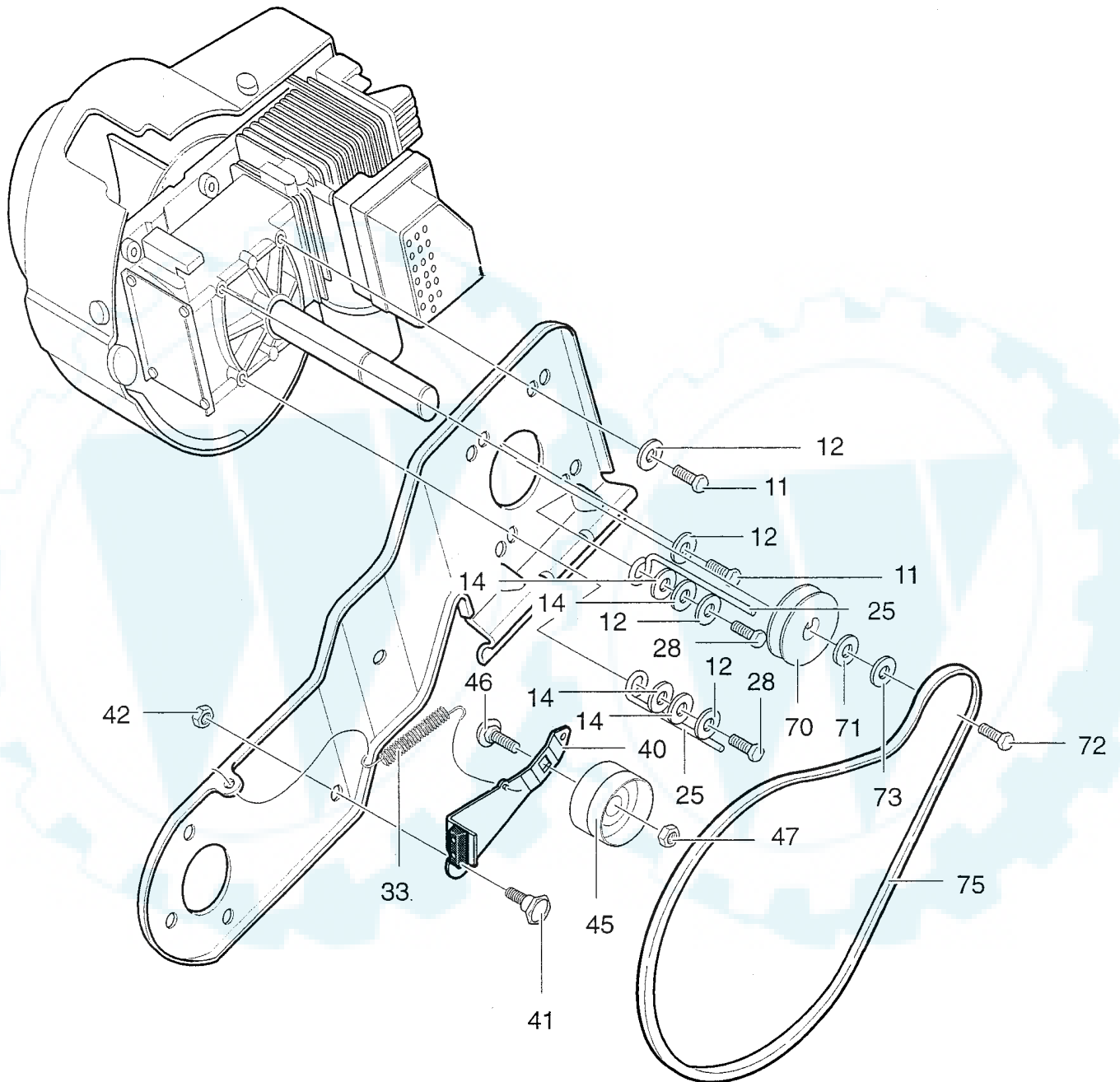


| Ausgabe Issue | | Bild Nr Picture No | | SNOW STAR DECKEL | SNOW STAR COVERS | Seite Page | | |
|------------------|-----------------|-----------------------|--|------------------------|---------------------------|----------------------------|-------------|--------------------|
| 2002- 2 | | 868B | | | | 62 | | |
| Pos. Fig. | Anzahl/Quantity | | | Artikel Nr. Part No | Bezeichnung | Description | Satz Kit | Anmerkung Notes |
| | 2820 | | | | | | | |
| 120 | 1 | | | 1812- 1384- 01 | Deckel- untere..... | Cover- bottom | | |
| 121 | 4 | | | 9988- 3532- 12 | Schraube | Screw | | |
| 122 | 4 | | | 9699- 0028- 02 | Scheibe..... | Flat washer..... | | |
| 124 | 4 | | | 1812- 0812- 01 | Gegenmutter..... | Locking nut..... | | |
| 126 | 1 | | | 1812- 1396- 01 | Vergaserdeckel | Carburettor cover | | |
| 127 | 2 | | | 1133- 0955- 01 | Schraube | Screw | | |
| 128 | 2 | | | 1133- 1026- 01 | Mutter..... | Speed nut..... | | |
| 130 | 1 | | | 1133- 0962- 01 | Schnurhülse | Grommet & rope guide | | |
| 131 | 1 | | | 1133- 0995- 01 | Griff | Starter grip..... | | |
| 140 | 1 | | | 1133- 0956- 01 | Zündschloß..... | Ignition switch | | |
| 141 | 1 | | | 1134- 2853- 01 | Scheibe..... | Washer..... | | |
| 142 | 1 | | | 1134- 2852- 01 | Mutter..... | Nut | | |
| 143 | 1 | | | 1134- 2848- 01 | Zündschlüssel | Ignition key | | |
| 145 | 1 | | | 1133- 0949- 01 | Primer | Primer | | |
| 146 | 1 | | | 1133- 0930- 01 | Primerschlauch | Primer hose | | |
| 147 | 1 | | | 9795- 3531- 02 | Mutter | Nut | | |
| 150 | 1 | | | 1133- 0957- 01 | Riemenschutz..... | Belt cover | | |
| 151 | 6 | | | 1812- 0959- 01 | Bolzen..... | Bolt | | |
| 152 | 6 | | | 1812- 0630- 01 | Mutter..... | Nut | | |
| 153 | 1 | | | 9899- 3516- 16 | Schraube | Screw | | |
| 154 | 1 | | | 9699- 0028- 02 | Scheibe..... | Flat washer..... | | |
| 155 | 1 | | | 1133- 0942- 01 | Mutter..... | Nut | | |
| 157 | 3 | | | 1133- 0955- 01 | Schraube | Screw | | |
| 158 | 1 | | | 9699- 0028- 02 | Scheibe..... | Flat washer..... | | |
| 159 | 3 | | | 1133- 1026- 01 | Mutter..... | Speed nut..... | | |
| 170 | 1 | | | 1812- 1557- 01 | Deckel- obere..... | Cover- top | | |
| 171 | 3 | | | 1133- 0955- 01 | Schraube | Screw | | |
| 172 | 2 | | | 9699- 0028- 02 | Scheibe..... | Flat washer..... | | |
| 173 | 3 | | | 1133- 1026- 01 | Mutter..... | Speed nut..... | | |
| 174 | 1 | | | 1133- 0952- 01 | Dichtung..... | Housing seal strip | | |
| 175 | 1 | | | 1133- 0953- 01 | Dichtung..... | Chute seal strip | | |
| 180 | 1 | | | 1133- 0961- 01 | Schalldämpferschutz | Muffler guard | | |
| 181 | 2 | | | 9988- 3516- 16 | Schraube | Screw | | |
| 182 | 2 | | | 9699- 0028- 02 | Scheibe..... | Flat washer..... | | |
| 183 | 2 | | | 1133- 0942- 01 | Mutter..... | Nut | | |



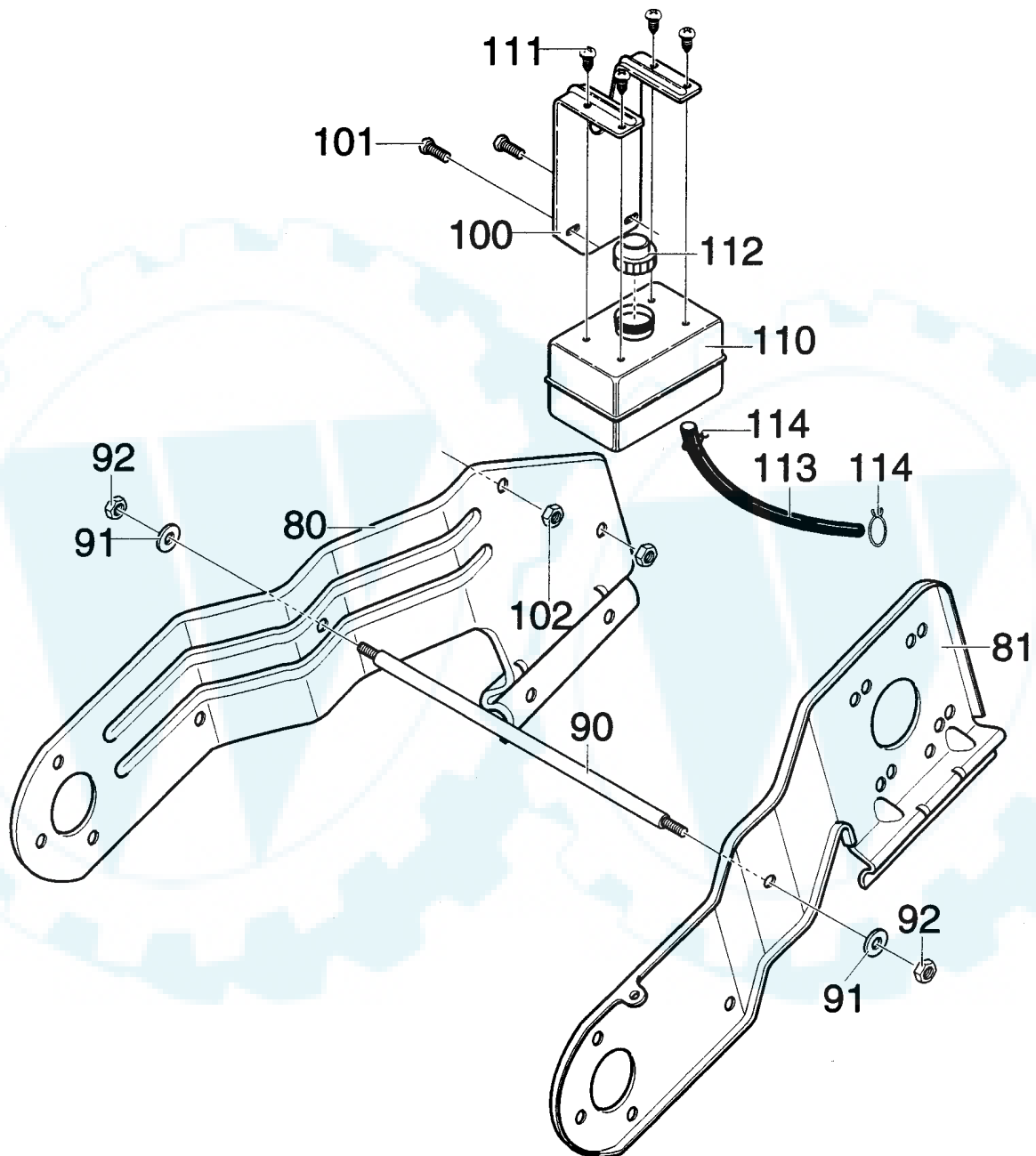


| Ausgabe Issue 2002- 2 | | Bild Nr Picture No 954A | | SNOW STAR RIEMENTRANSMISSION MOTOR | | SNOW STAR BELT TRANSMISSION ENGINE | | Seite Page 60 | |
|-----------------------------|-----------------|-------------------------------|--|--|------------------------|--|---------------------|---------------------|--------------------|
| Pos. Fig. | Anzahl/Quantity | | | | Artikel Nr. Part No | Bezeichnung | Description | Satz Kit | Anmerkung Notes |
| | 2820 | | | | | | | | |
| X 11 | 2 | | | | 9988-3619-16 | Schraube | Screw | | |
| 12 | 4 | | | | 1812-1669-01 | Scheibe | Washer | | |
| 14 | 4 | | | | 9699-0029-02 | Scheibe | Flat washer | | |
| 25 | 2 | | | | 1133-0976-01 | Riemenführung | Belt guide | | |
| 28 | 2 | | | | 9988-3625-16 | Schraube | Screw | | |
| X 33 | 1 | | | | 1812-1671-01 | Feder | Spring | | |
| 40 | 1 | | | | 1812-1604-01 | Spannarm | Idler arm | | |
| 41 | 1 | | | | 9988-3613-16 | Schraube | Screw | | |
| 42 | 1 | | | | 1812-0811-01 | Gegenmutter | Locking nut | | |
| 45 | 1 | | | | 1133-0936-01 | Spannrolle | Idler pulley | | |
| 46 | 1 | | | | 1133-0084-01 | Bolzen | Carriage bolt | | |
| 47 | 1 | | | | 9743-3721-32 | Mutter | Nut | | |
| 70 | 1 | | | | 1812-1399-01 | Motorriemenscheibe | Engine pulley | | |
| 71 | 1 | | | | 9699-0062-02 | Scheibe | Flat washer | | |
| 72 | 1 | | | | 9987-5119-16 | Schraube | Screw | | |
| X 73 | 1 | | | | 1812-1669-01 | Scheibe | Washer | | |
| 75 | 1 | | | | 1812-9025-01 | Treibriemen | Drive belt | | |





| Ausgabe Issue | | Bild Nr Picture No | | SNOW STAR RAHMEN BENZINTANK | | SNOW STAR FRAME FUEL TANK | | Seite Page | |
|------------------|-----------------|-----------------------|--|-----------------------------------|----------------------|---------------------------------|-------------|--------------------|--|
| 2002- 2 | | 1093 | | | | | | 58 | |
| Pos. Fig. | Anzahl/Quantity | | | Artikel Nr. Part No | Bezeichnung | Description | Satz Kit | Anmerkung Notes | |
| | | | | | | | | | |
| | 2820 | | | | | | | | |
| 80 | 1 | | | 1812- 1438- 01 | Rahmen- rechts | Side frame- R.H..... | | Volum 0.95 lit. | |
| 81 | 1 | | | 1812- 1437- 01 | Rahmen- links..... | Side frame- L.H..... | | | |
| 90 | 1 | | | 1812- 1431- 01 | Stützstange..... | Support rod..... | | | |
| 91 | 2 | | | 9683- 0035- 02 | Scheibe | Lock washer..... | | | |
| 92 | 2 | | | 9795- 3731- 02 | Mutter | Nut..... | | | |
| 100 | 1 | | | 1133- 0941- 01 | Tankhalter | Fuel tank bracket..... | | | |
| 101 | 2 | | | 9988- 3519- 16 | Schraube | Screw..... | | | |
| 102 | 2 | | | 1812- 0812- 01 | Gegenmutter..... | Locking nut..... | | | |
| 110 | 1 | | | 1133- 0954- 01 | Benzintank..... | Fuel tank..... | | | |
| 111 | 4 | | | 1133- 0939- 01 | Schraube | Screw..... | | | |
| 112 | 1 | | | 1812- 1554- 01 | Tankdeckel..... | Gas tank cap..... | | | |
| 113 | 1 | | | 1133- 0992- 01 | Benzinschlauch..... | Fuel line tubing..... | | | |
| 114 | 2 | | | 1133- 0070- 01 | Schlauchklemme | Fuel line clamp..... | | | |





| Ausgabe Issue 2002- 2 | | Bild Nr Picture No 865A | | SNOW STAR FÜHRUNGSHOLM STÜTZRÄDER | | SNOW STAR HANDLE SUPPORT WHEELS | | Seite Page 56 | |
|-----------------------------|-----------------|-------------------------------|--|---|----------------------------|---------------------------------------|-------------|---------------------|--|
| Pos. Fig. | Anzahl/Quantity | | | Artikel Nr. Part No | Bezeichnung | Description | Satz Kit | Anmerkung Notes | |
| | 2820 | | | | | | | | |
| 650 | 1 | | | 1133- 0958- 01 | Radachse..... | Wheel axle..... | | | |
| 651 | 2 | | | 9699- 0030- 02 | Scheibe..... | Flat washer..... | | | |
| 660 | 2 | | | 1812- 1455- 01 | Rad..... | Wheel..... | | | |
| 661 | 2 | | | 9699- 0030- 02 | Scheibe..... | Flat washer..... | | | |
| 662 | 2 | | | 1133- 1021- 01 | Schloßring..... | Retaining ring..... | | | |
| 740 | 1 | | | 1812- 1457- 01 | Kupplungsdraht Obere..... | Control cable- upper..... | | | |
| 741 | 1 | | | 1133- 0977- 01 | Drahthalter..... | Cable adjust bracket..... | | | |
| 742 | 1 | | | 1812- 1456- 01 | Kupplungsdraht Untere..... | Control cable- lower..... | | | |
| 743 | 1 | | | 1133- 0968- 01 | Drahhülse..... | Clutch spring boot..... | | | |
| 744 | 1 | | | 1812- 1670- 01 | Feder..... | Spring..... | | | |
| 750 | 1 | | | 1133- 0984- 01 | Führungsholm- Untert..... | Lower handle..... | | | |
| 751 | 4 | | | 9988- 3532- 12 | Schraube..... | Screw..... | | | |
| 752 | 4 | | | 9699- 0028- 02 | Scheibe..... | Flat washer..... | | | |
| 753 | 4 | | | 1812- 0812- 01 | Gegenmutter..... | Locking nut..... | | | |
| 755 | 1 | | | 1812- 1515- 01 | Halterung..... | Bracket..... | | | |
| 756 | 1 | | | 1133- 0262- 01 | Ansatzbolzen..... | Shoulder bolt..... | | | |
| 757 | 1 | | | 1133- 0059- 01 | Schnurrad..... | Pulley..... | | | |
| 759 | 1 | | | 1812- 0812- 01 | Gegenmutter..... | Locking nut..... | | | |
| 760 | 1 | | | 1133- 1009- 01 | Führungsholm- Obert..... | Upper handle..... | | | |
| 761 | 1 | | | 1133- 0972- 01 | Kupplungsgriff..... | Control bail..... | | | |
| 762 | 2 | | | 1133- 1017- 01 | Schraube..... | Bolt..... | | | |
| 763 | 2 | | | 1133- 0933- 01 | Scheibe..... | Formed washer..... | | | |
| 764 | 2 | | | 1812- 1363- 01 | Verriegelungsrad..... | Wing knob..... | | | |
| 765 | 2 | | | 9795- 3631- 02 | Mutter..... | Nut..... | | | |

X